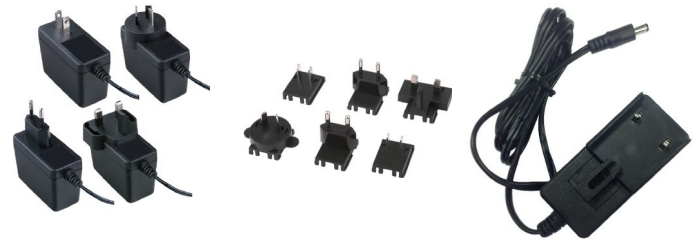




FEATURES

- Single 5V to 24V Output Voltages
- Fixed and Interchangeable AC Plugs
- Level VI Energy Efficiency
- UL, cUL, TUV, PSE, CCC, RCM, LPS Approved
- No Load Power Consumption < 0.075W
- Competitively Priced



INPUT SPECIFICATIONS

Input Voltage Range 90-264 VAC
 Input Frequency 47-63 Hz
 Input Current 0.48A max.
 Inrush Current 50A max. @ 100 VAC;
 60A max. @ 230 VAC cold start
 at 25°C, full load

OUTPUT SPECIFICATIONS

Output Power Ratings See models list
 No Load Power Cons. 0.075W max.
 Line Regulation ±1% max.
 Load Regulation ±5% max.
 Ripple and Noise* 2% Vp-p max. @ full load
 Over Voltage Protection Set at 180% max.; Shut down
 Over Current Protection Set at 310% max.; Shut down
 Short Circuit Protection Shut down, Auto-recovery
 Temperature Coefficient ±0.04%/°C max.
 Transient Response 0.5 ms @ 50% load change

* R&N measured with 20MHz bandwidth at rated line voltage and output load ranges, with a 10µF tantalum capacitor in parallel with a 0.1µF ceramic capacitor in parallel across the output.

GENERAL SPECIFICATIONS

Efficiency 85% min. @ full load
 Hold-Up Time 10ms @ full load
 Operating Temperature 0°C to +40°C
 Storage Temperature -20°C to +80°C
 Operating Humidity 20 to 80% non-condensing
 Storage Humidity 10 to 90% non-condensing
 Withstand Voltage 3,000 VAC, input-output
 MTBF 300 KHrs minimum at full load,
 25°C ambient, calculated per
 Telcordia SR-332

STANDARDS & COMPLIANCE

EN 55022, FCC Class B, conducted & radiated
 EN 61000-3-2 Harmonic distortion, Class A & D
 EN 61000-3-3 Line flicker
 EN 61000-4-2 ESD, ±8 KV air and ±4 KV contact
 EN 61000-4-3 Radiated immunity, 3V/m
 EN 61000-4-4 Fast transient/burst, ±1 KV
 EN 61000-4-5 Surge, ±1 KV diff., ±2 KV com.
 EN 61000-4-6 Conducted immunity, 3 Vrms
 EN 61000-4-8 Magnetic field immunity, 1A/m
 EN 61000-4-11 Voltage dip immunity,
 30% reduction for 500ms,
 60% reduction for 100ms,
 >95% reduction for 10ms

STANDARDS & COMPLIANCE (CONT.)

Safety Standards UL/IEC/EN 60950-1 (2nd Edition)
 Agency Approvals UL, cUL, TUV, PSE, CCC, LPS, RCM,
 CE, CB
 Other Compliance RoHS, Energy Star, DOE Level VI,
 NRCAN/GEMS Level VI, ErP Stage II,
 CoC Tier 2

MODELS LIST

Product No.	Output Voltage	Output Current	Maximum Power
TAW18-5-X	5V	3A	15W
TAW18-5.9-X	5.9V	3A	17.7W
TAW18-7-X	7V	2.5A	17.5W
TAW18-7.5-X	7.5V	2.5A	18.75W
TAW18-9-X	9V	2.2A	19.8W
TAW18-12-X	12V	1.6A	19.2W
TAW18-15-X	15V	1.3A	19.5W
TAW18-16-X	16V	1.2A	19.2W
TAW18-18-X	18V	1.1A	19.8W
TAW18-24-X	24V	0.8A	19.2W

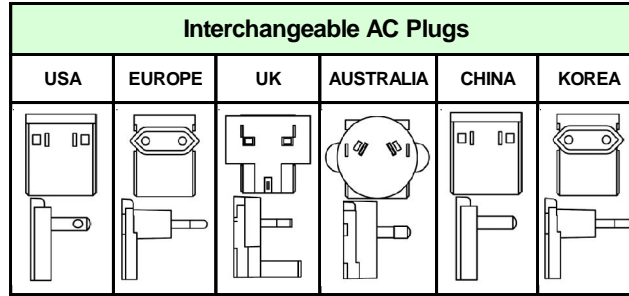
Note: X = AC plug code. See the below table for details.

Code X	Fixed AC Plug
U	US, Japan
E	EU
C	China
B	UK
A	Australia
I	Main body without Interchangeable AC plugs

TAW18 Series

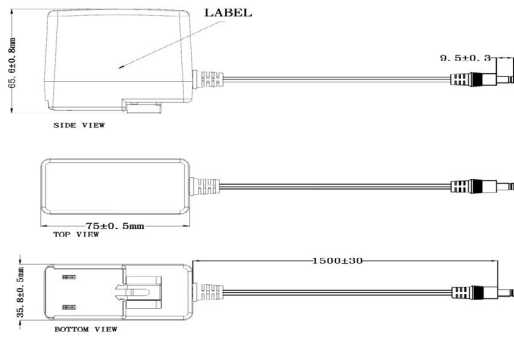
15-19.8 Watts ITE Grade AC/DC Power Adapters

Part No.	Interchangeable AC Plugs
TAW-IPU	US, Japan
TAW-IPE	EU
TAW-IPC	China
TAW-IPB	UK
TAW-IPA	Australia

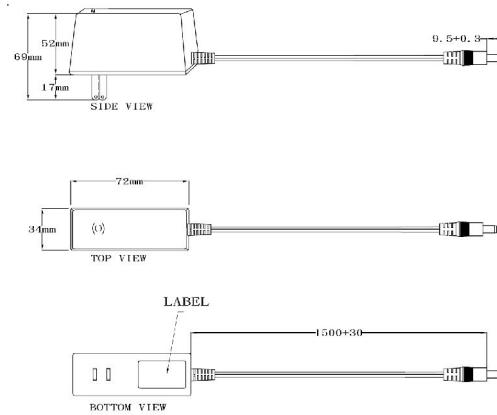


MECHANICAL SPECIFICATIONS

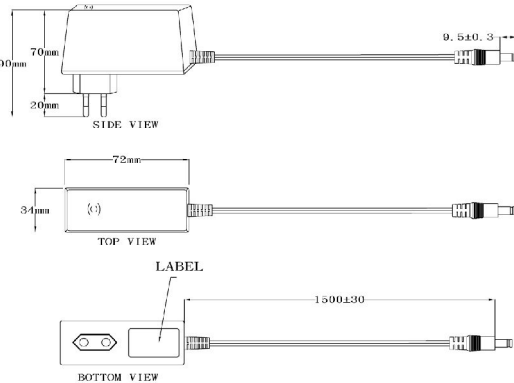
Main Body for Interchangeable Wall Plugs:



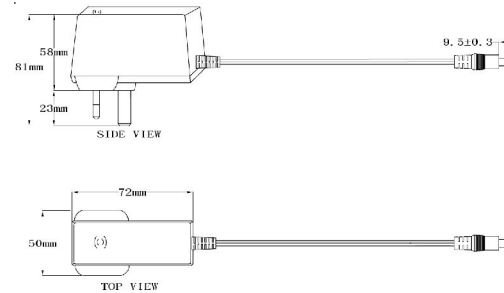
Fixed US/Japan Wall Plug:



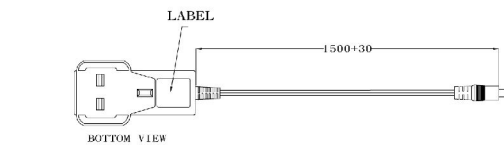
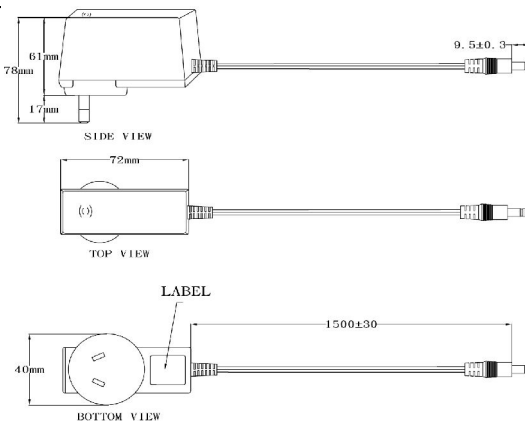
Fixed EU Wall Plug:



Fixed UK Wall Plug:



Fixed Australia Wall Plug:



Notes:

1. Unit: mm.
2. Tolerance: 0.5mm maximum, unless otherwise stated.
3. Weight: 150g approx.
4. Standard output connector: 2.5 x 5.5 x 9.5mm barrel plug
5. Contact TRUMPower for output connector options.