



FEATURES

- IEC 320/C14, C8, C18 AC Inlets
- LED Power Indicator
- 12V to 48V Single Outputs
- Over Voltage, Over Current & Over Temperature Protections
- IEC/EN/UL 60601-1 Ed. 3.1 & IEC 60950-1 Ed. 2 Approved
- Meets IEC/EN 60601-1-2 Ed. 4 EMC
- CEC, DOE LEVEL VI & ErP Stage 2 Compliant



INPUT SPECIFICATIONS

Input Voltage Range	90-264 VAC
Input Frequency	50-60Hz
Input Current	2.5A-0.9A max.
Inrush Current	100A @ 230 VAC, at 25°C cold start
Touch Current	100 µA max.
Earth Leakage Current	300 µA max. for Class I

OUTPUT SPECIFICATIONS

Output Power Ratings	See table
No Load Power Cons.	0.15W max.
Line Regulation	±1% max.
Load Regulation	±5% max.
Ripple and Noise*	1% peak to peak max.
Over Voltage Protection	Set at 160% of its nominal output voltage; Latch off
Over Temp. Protection	Auto recovery
Short Circuit Protection	Shutdown; Auto recovery
Over Current Protection	Set at 160% of its nominal input voltage; Shutdown
Temperature Coefficient	±0.04%/°C max.
Transient Response	0.5 ms @ 50% load change

* Measured with 20MHz bandwidth at rated line voltage and output load ranges, with a 10µF tantalum capacitor in parallel with a 0.1µF ceramic capacitor in parallel across the output.

GENERAL SPECIFICATIONS

Power Factor	0.95 min. @ full load
Efficiency	88% min. @ full load
Hold-up Time	10 ms @ full load
Operating Temperature	0°C to +40°C
Storage Temperature	-20°C to +80°C
Operating Humidity	20% to 80% non-condensing
Storage Humidity	10% to 90% non-condensing
Withstand Voltage	4,000 VAC, input-output (2 MOPP) 1,500 VAC, input-ground (1 MOPP)
MTBF	300 KHrs minimum at full load, 25°C ambient, calculated per Telecordia SR-332

MODELS LIST

Product No. ⁽¹⁾	Output Voltage	Maximum Current	Maximum Power
TDM200-12	12V	16A	192W
TDM200-18	18V	11A	198W
TDM200-19	19V	10.5A	199W
TDM200-24	24V	8.3A	199W
TDM200-48	48V	4.17A	200W

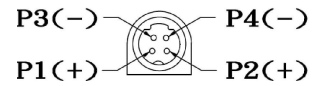
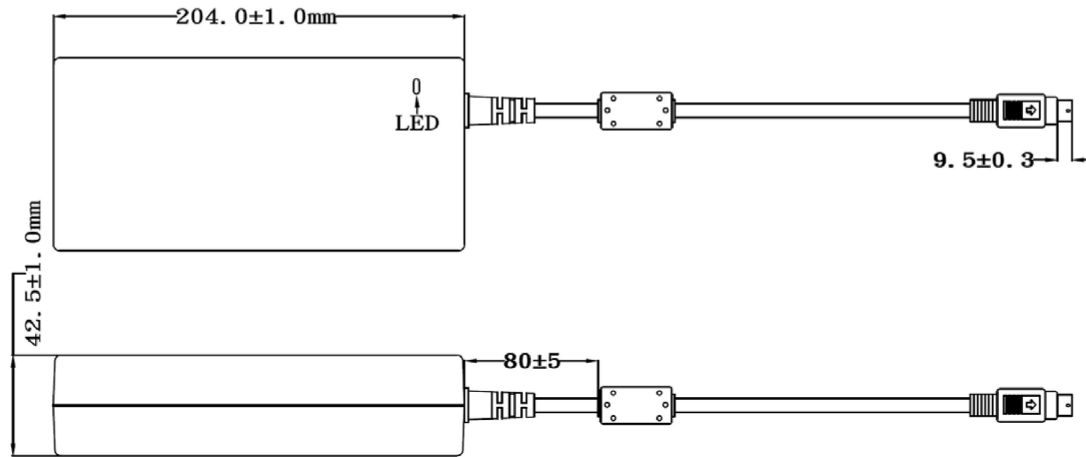
Note:

1) Add suffix "-4" for models equipped with IEC 320/C14 AC inlet, "-8" for C8 inlet, "-F" for C18 inlet, e.g. TDM200-12-4, TDM200-12-8, TDM200-12-F, etc.

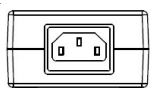
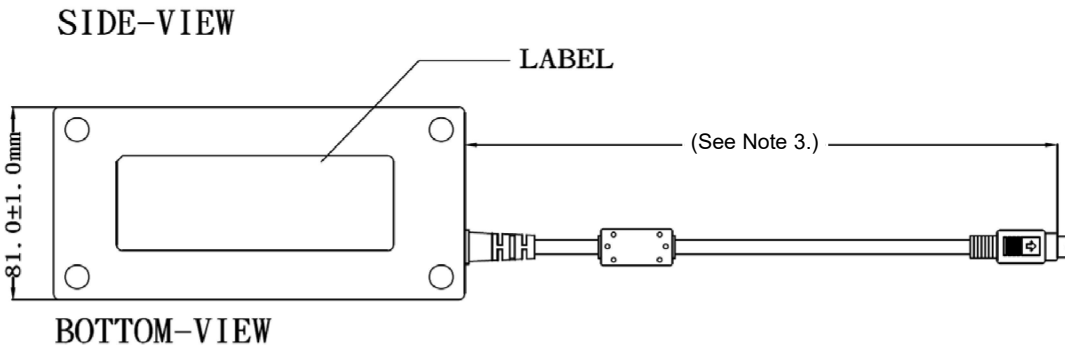
STANDARDS & COMPLIANCE

IEC/EN 60601-1-2, Ed. 4.0 ...	EMC & Immunity Performance
EN 55011	Class B, conducted & radiated
FCC, CISPR 11	Class B, conducted & radiated
EN 61000-3-2	Harmonic distortion, Class A & D
EN 61000-3-3	Line flicker
EN 61000-4-2	ESD, ±15 KV air and ±8 KV contact
EN 61000-4-3	Radiated immunity, 10V/m
EN 61000-4-4	Fast transient/burst, ±2 KV
EN 61000-4-5	Surge, ±1 KV diff., ±2 KV com.
EN 61000-4-6	Conducted immunity, 10 Vrms
EN 61000-4-8	Magnetic field immunity, 30A/m
EN 61000-4-11	Voltage dips, 30% reduction for 500ms, 100% reduction for 10ms
Safety Standards	UL/IEC/EN 60601-1 Ed. 3.1, ANSI/AAMI ES 60601-1:2012, CSA C22.2 No. 60601-1:2014, IEC 60950-1 Ed. 2; IEC 62368-1 Ed. 2 (for C14 inlet)
Agency Approvals	UL, cUL, TUV, CE, CB, PSE
Other Compliance	RoHS, CEC & Energy Star Level VI, ErP Stage II, MEPS Level VI

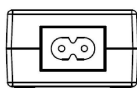
MECHANICAL SPECIFICATIONS



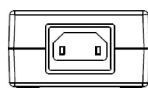
PINS	FUNCTION
1	+V
2	+V
3	RETURN
4	RETURN
SHIELD	AC GND



C14 Inlet
Class I



C8 Inlet
Class II



C18 Inlet
Class II

Notes:

1. Tolerance: 0.5mm maximum, unless otherwise stated.
2. Weight: 880g (1.94 lbs) approx.
3. Cable length: 1,200mm for 12V output, 1,500mm for 18-48V outputs.
4. Standard output connector: Kycon P/N KPPX-4P circular DIN or equivalent.
5. Mating connector: Kycon P/N KPJX-4S-S or equivalent.
6. Contact TRUMPower for output connector options.