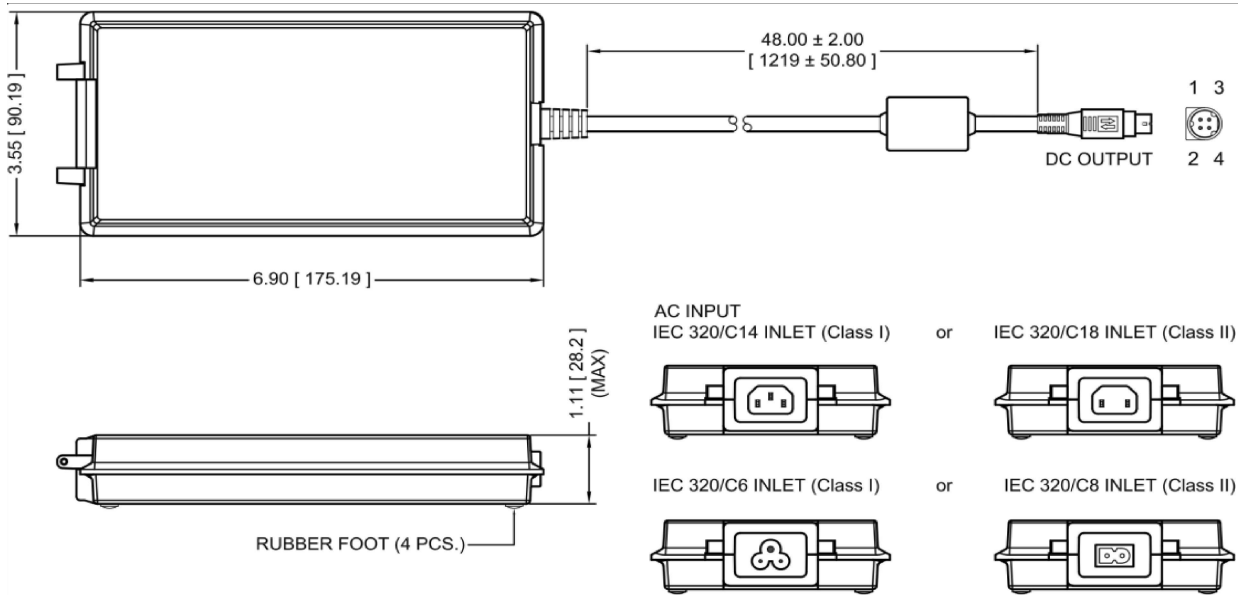




### MECHANICAL SPECIFICATIONS



DC OUTPUT CONNECTOR	
PIN	FUNCTION
1	DC RETURN
2	+V
3	DC RETURN
4	+V
SHELL/SHIELD	AC GND (Class I) / DC RETURN (Class II)

- Notes:**
1. Unit: inch [mm]
  2. Tolerance: 0.02 [0.5] maximum, unless otherwise stated
  3. Weight: 1.326 lbs. (600 grams) approx.
  4. Standard output connector: Kycon P/N KPPX-4P 4-pin circular DIN plug with lock or equivalent, except TPM150-12 and TPM150-13 without lock
  5. Mating connector: Kycon P/N KPJX-4S-S socket or equivalent
  6. Cable length: 1,219mm, except TPM150-12 and TPM150-13 (910 mm)
  7. Standard Class I model comes with AC and DC Grounds separated. Connected grounds available upon request.
  8. Contact TRUMPower for output connector options.