



OUTPUT VOLTAGE	OUTPUT CURRENT	OUTPUT POWER	MODEL NUMBER		
			9-18 VDC IN	18-36 VDC IN	36-72 VDC IN
5 VDC	5000 mA	25W	TD5-25S1205	TD5-25S2405	TD5-25S4805
12 VDC	2083 mA	25W	TD5-25S1212	TD5-25S2412	TD5-25S4812
15 VDC	1666 mA	25W	TD5-25S1215	TD5-25S2415	TD5-25S4815
24 VDC	1041 mA	25W	TD5-25S1224	TD5-24S2424	TD5-25S4824
±5 VDC	±2500 mA	25W	TD5-25D1205	TD5-25D2405	TD5-25D4805
±12 VDC	±1041 mA	25W	TD5-25D1212	TD5-25D2412	TD5-25D4812
±15 VDC	±833 mA	25W	TD5-25D1215	TD5-25D2415	TD5-25D4815
±24 VDC	±520 mA	25W	TD5-25D1224	TD5-25D2424	TD5-25D4824

Other input/output combinations available.

ELECTRICAL SPECIFICATIONS

All Specifications Typical @+25°C, Nominal Line, and Full Load Unless Otherwise Noted.

INPUT SPECIFICATIONS

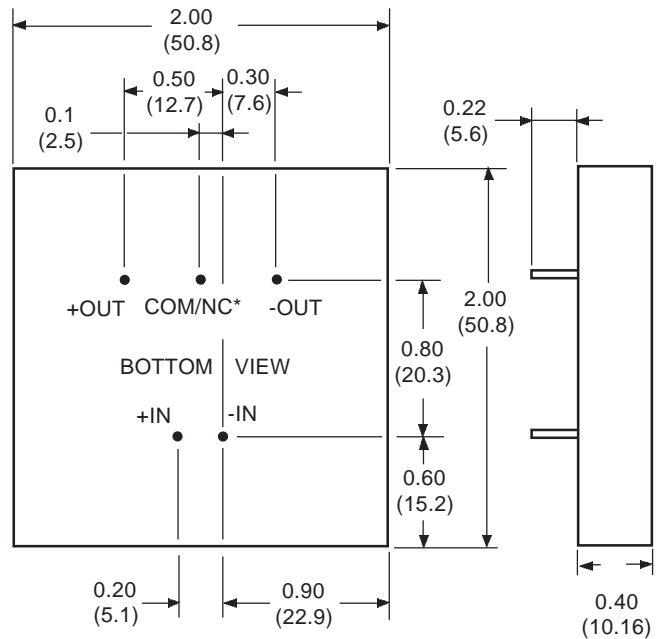
Nominal Line, 9-18V Input.....12 VDC
 18-36V Input.....24 VDC
 36-72V Input.....48 VDC
 Input Filter.....Capacitors

OUTPUT SPECIFICATIONS

Voltage Accuracy.....±1%, Max.
 Voltage Balance (Dual Output).....±1%
 Line Regulation.....±0.5%, Max.
 Load Regulation.....±0.5%, Max.
 Ripple and Noise, 20MHz BW.....100mVp-p, Max.
 Short Circuit Protection.....Continuous
 Short Circuit Restart.....Automatic

GENERAL SPECIFICATIONS

Efficiency.....79% - 88%
 Isolation Voltage, Input to Output.....1,500 VDC, Min.
 Switching Frequency, 10W/15W.....200K Hz, Typ.
 Operating Temperature.....-25°C to +85°C
 Derating3.57%/°C, +71°C to +85°C
 Case Temperature.....+100°C, Max.
 Storage Temperature Range.....-40°C to +125°C
 Cooling.....Free Air Convection
 Weight.....2.1 oz. (60 grams)
 Case Material.....Metal with Non-Conductive Base



* NC (NO CONNECTION) ON SINGLE OUTPUT MODELS

PIN SIZE: 0.04 INCH (1.0 mm) DIA.

ALL DIMENSIONS IN INCHES (mm)