



FEATURES

- Latest Medical 60601-1 & ITE 62368-1 Dual Approvals
- Approved to IEC/EN 60601-1-2 4th Edition Medical EMC
- Complies with ATX12V 2.53 Standards
- 5,000 Meters Operating Altitude
- 80PLUS GOLD Efficiency



INPUT SPECIFICATIONS

Input Voltage Range	90-264 VAC
Input Frequency	47-63Hz
Input Current	8A rms max. @ 115 VAC 4A rms max. @ 230 VAC
Inrush Current	50A @ 115 VAC, 100A @ 230 VAC, at 25°C cold start
Earth Leakage Current	200µA max. @ 264 VAC, 63Hz

OUTPUT SPECIFICATIONS

Output Power Ratings	See rating chart
Load Regulation	See rating chart
Line Regulation	±0.5% max. at full load
Ripple & Noise*	See rating chart
Hold-up Time	13ms min. @ 115/230 VAC
Switching Frequency	67 kHz
Over Voltage Protection	3.7-4.8V for +3.3V 5.7-7.0V for +5V 13.4-16.0V for +12V
Over Current Protection	40-60A for +3.3V 40-60A for +5V 40-55A for +12V
Short-Circuit Protection	Shutdown, Latch off on +3.3V, +5V & +12V outputs
Temperature Coefficient	±0.04%/°C max.

* Measured with 20MHz bandwidth at rated line voltage and output load ranges, with a 47µF tantalum capacitor in parallel with a 0.1µF ceramic capacitor in parallel across the output.

OUTPUT VOLTAGE & CURRENT RATING CHART					
Ouput Voltage	Minimum Load	*Maximum Load	Peak Load	Load Regulation	Ripple & Noise VP-P Max.
+5V	0A	30A		±5%	50mV
+3.3V	0A	24A		±5%	50mV
+12V ₁	0.1A	30A	35A	±5%	120mV
+12V ₂	0.2A	30A	35A	±5%	120mV
-12V	0A	0.5A		±10%	120mV
+5Vsb	0.05A	3A		±5%	50mV
-5V	0A	0.2A		±10%	100mV

* The overall output power is 700W maximum.
 * The total output peak load is 780W < 10 ms.
 * The total output power for +3.3V & +5V is 150W maximum .
 * The total output current for +12V₁ and +12V₂ is 58A maximum.

GENERAL SPECIFICATIONS

Efficiency	87% min. at full load
Operating Temperature	0°C to +50°C
Derating	Derate from 100% @ +50°C linearly to 50% @ +70°C
Storage Temperature	-20°C to +80°C
Operating Humidity	5% to 85% non-condensing
Storage Humidity	5% to 95% non-condensing
Withstand Voltage	4,000 VAC input to output (2 MOPP) 1,500 VAC input to ground (1 MOPP) 1,500 VAC output to ground
Operating Altitude	5,000 meters max.
MTBF	180K hours minimum at full load & 25°C ambient, calculated per MIL-HDBK-217F

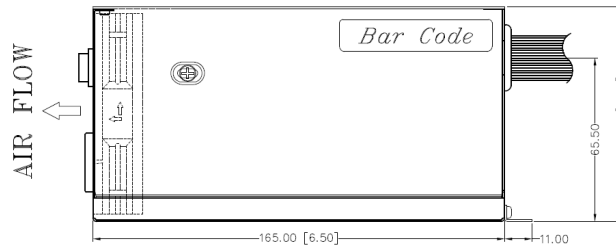
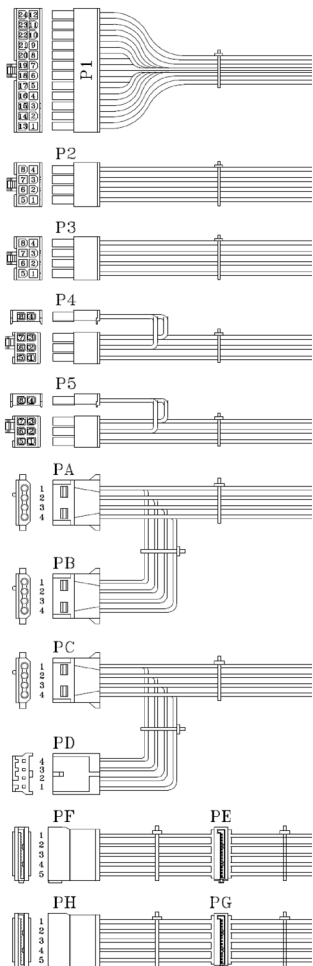
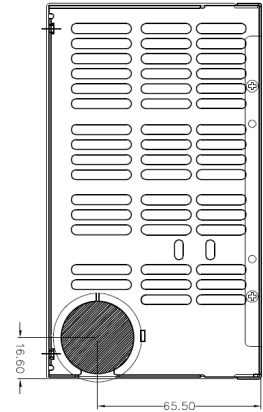
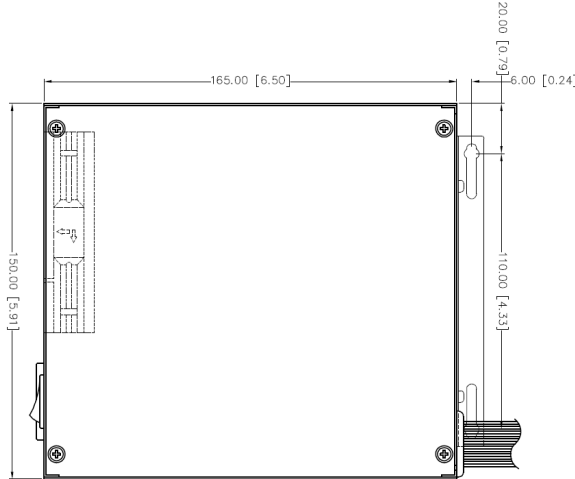
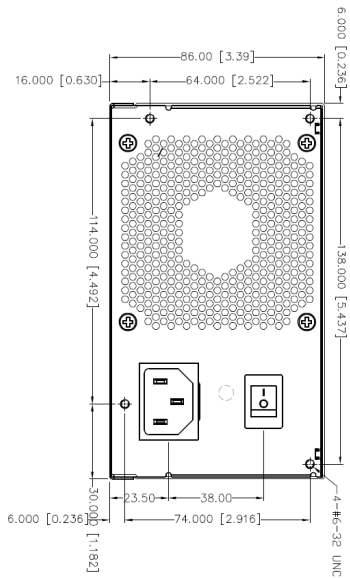
STANDARDS & COMPLIANCE

IEC/EN 60601-1-2, 4 th Ed. .	EMC & Immunity Performance
EN 55011 / EN 55022	Class B, conducted & radiated
FCC / VCCI	Class B, conducted & radiated
EN 61000-3-2	Harmonic distortion, Class A
EN 61000-3-3	Line fluctuations & flicker
EN 61000-4-2	ESD, ±15 KV air and ±8 KV contact
EN 61000-4-3	Radiated immunity, 3 V/m
EN 61000-4-4	Fast transient/burst, ±2 KV
EN 61000-4-5	Surge, ±1 KV diff., ±2 KV com.
EN 61000-4-6	Conducted immunity, 6 Vrms
EN 61000-4-8	Magnetic field immunity, 30 A/m
EN 61000-4-11	Voltage dip immunity, 30% reduction for 500ms, 60% reduction for 100ms and >95% reduction for 10ms
Safety Standards	IEC/EN/UL 60601-1 (Edition 3.1), ANSI/AAMI ES 60601-1 (2012), CAN/CSA C22.2 No. 60601-1:14; IEC 62368-1 (3rd Edition)
Agency Approvals	UL, cUL, TUV, CE, CB
Other Compliance	RoHS, 80PLUS GOLD

TMPC-700G

Medical Grade 700W ATX PC Power Supply

MECHANICAL SPECIFICATIONS



Notes:

1. Unit: mm [inch]
2. Tolerance: .XX \pm 0.5 [0.02]; .XXX \pm 0.25 [0.01] max., unless otherwise stated.
3. Weight: 2.25 kg approxi.
4. Custom output cablesets available