



FEATURES

- 1" Height Slim Design
- IEC 320/C6, C14 AC Inlets
- 19V, 19.5V, 24V, 48V or 54V Output
- 88% Minimum Efficiency
- DOE Level VI Compliance
- IEC/EN/UL 62368-1 Approved



INPUT SPECIFICATIONS

Input Voltage Range 90-264 VAC
 Input Frequency 47-63 Hz
 Input Current 2.3A max. @ 100 VAC/240 VAC
 Inrush Current 140A max. @ Full Load,
 at 25°C cold start
 Touch Current 250 µA max. @ 264 VAC, 60Hz

OUTPUT SPECIFICATIONS

Output Power Ratings See models list
 No Load Power Cons. 0.21W max.
 Line Regulation ±0.5% max.
 Load Regulation ±5% max.
 Ripple and Noise* 350 mVp-p max. @ full load
 Over Voltage Protection Set @ 110-150%; Latch off
 Over Current Protection Protected to short circuit conditions;
 Auto-recovery
 Short Circuit Protection Auto recovery
 Temperature Coefficient ±0.04%/°C max.
 Transient Response Maximum excursion of 4% or better
 on all models, recovering to 1% of
 final value within 500 us after a 25%
 step load change

* Measured with 20MHz bandwidth at rated line voltage and output load ranges, with a 47µF aluminum capacitor in parallel with a 0.1µF ceramic capacitor in parallel across the output.

GENERAL SPECIFICATIONS

Power Factor 0.9 min. @ full load
 Efficiency 88% min. @ full load
 Hold-Up Time 10ms min. @ full load
 Operating Altitude 5,000 meters max.
 Operating Temperature 0°C to +40°C
 Storage Temperature -20°C to +80°C
 Operating Humidity 20 to 80% non-condensing
 Storage Humidity 10 to 90% non-condensing
 Withstand Voltage 1,500 VAC input - output
 1,500 VAC input - ground
 MTBF 500 Khrs minimum at full load,
 25°C ambient, calculated per
 Telcordia SR-332

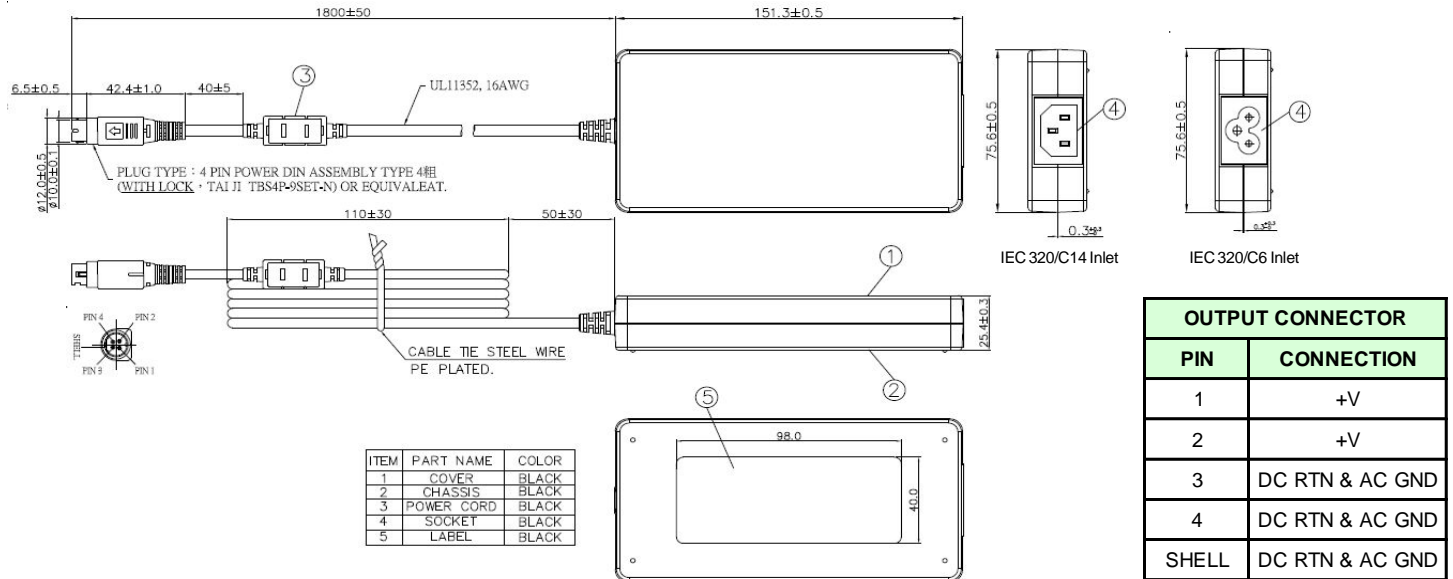
MODELS LIST

Product No.	AC Inlet	Output Voltage	Maximum Output Current	Maximum Output Power
TFA180-19	C14	19V	9.5A	180W
TFA180-19.5	C14	19.5V	9.23A	180W
TFA180-24	C14	24V	7.5A	180W
TFA180-48	C14	48V	3.75A	180W
TFA180-54	C14	54V	3.33A	180W
TFA180-19-6	C6	19V	9.5A	180W
TFA180-19.5-6	C6	19.5V	9.23A	180W
TFA180-24-6	C6	24V	7.5A	180W
TFA180-48-6	C6	48V	3.75A	180W

STANDARDS & COMPLIANCE

EN 55032, CISPR 32 Class B, conducted & radiated
 FCC, VCCI Class B, conducted & radiated
 EN 61000-3-2 Harmonic distortion, Class A & D
 EN 61000-3-3 Line flicker
 EN 61000-4-2 ESD, ±15 KV air and ±8 KV contact
 EN 61000-4-3 Radiated immunity, 3V/m
 EN 61000-4-4 Fast transient/burst, ±1 KV
 EN 61000-4-5 Surge, ±1 KV diff., ±2 KV com.
 EN 61000-4-6 Conducted immunity, 3 Vrms
 EN 61000-4-8 Magnetic field immunity, 1A/m
 EN 61000-4-11 Voltage dip immunity,
 30% reduction for 500ms,
 >95% reduction for 10ms
 Safety Standards IEC/EN/UL 62368-1
 Agency Approvals UL, cUL, TUV, CE, CB
 Other Compliance RoHS, Energy Star 2.0, ErP Stage II,
 DoE 2013 Level VI

MECHANICAL SPECIFICATIONS



Notes:

1. Unit: mm
2. Weight: 485 grams approx.
3. Standard output connector: 4-pin power DIN plug
4. Contact TRUMPower for output connector options.