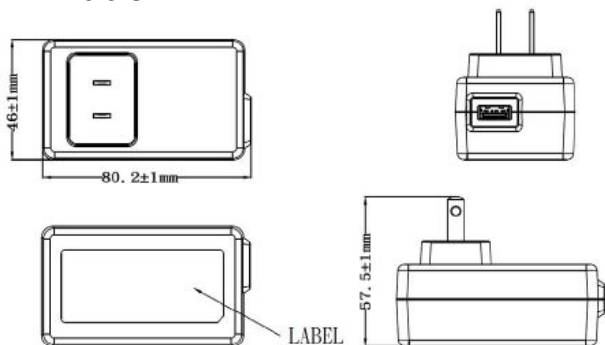


TMW10 USB Series

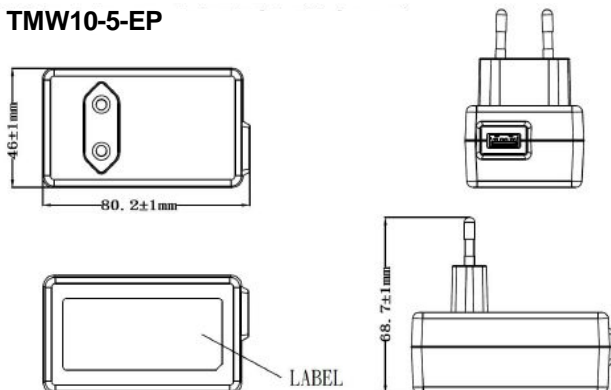
10 Watts Medical Grade USB Power Adapters

MECHANICAL SPECIFICATIONS

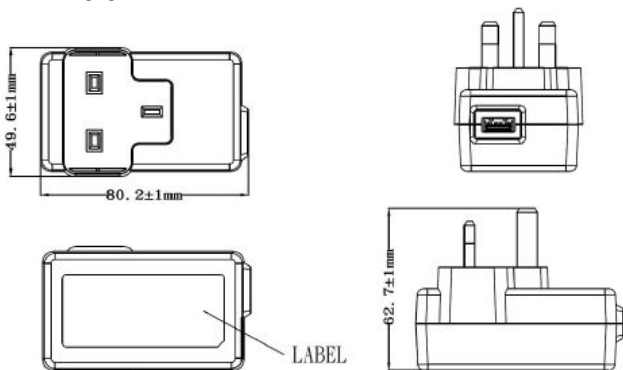
TMW10-5-UP



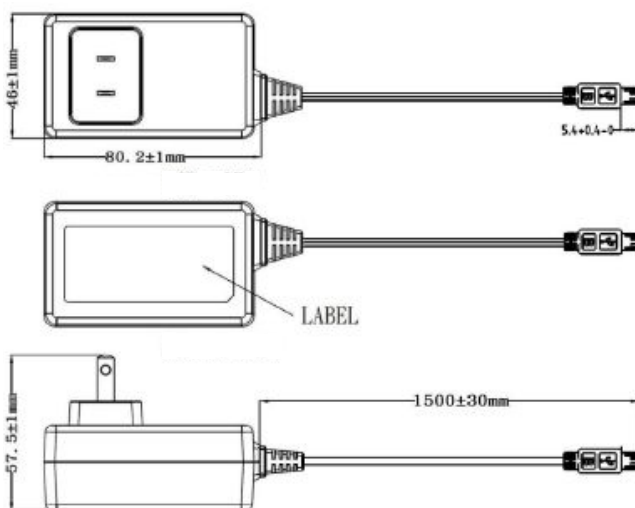
TMW10-5-EP



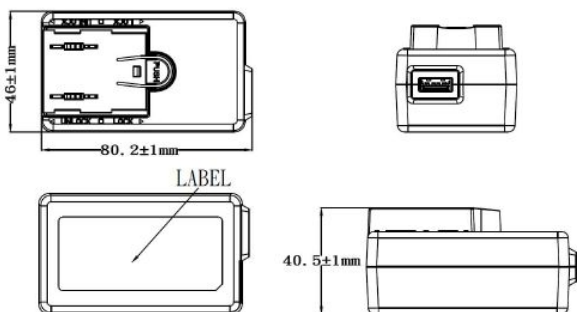
TMW10-5-BP



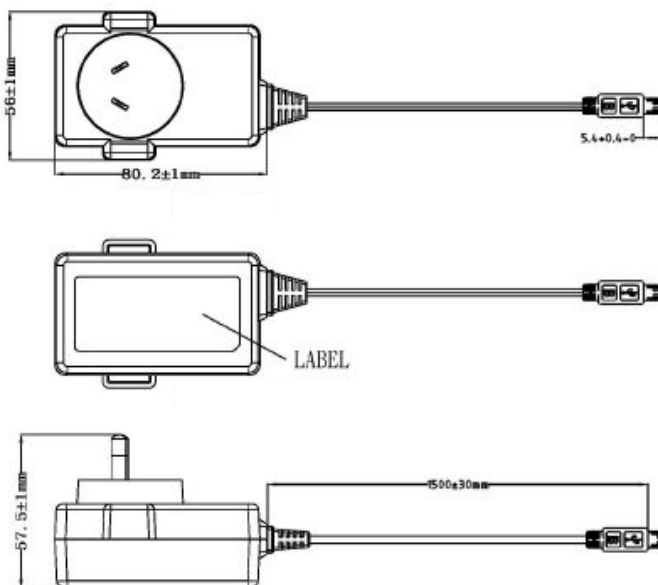
TMW10-5-UY* (*Refer to the Code Y table.)



TMW10-5-IP



TMW10-5-AY* (*Refer to the Code Y table.)



INTERCHANGEABLE AC PLUGS			
TIPU	TIFE	TIPB	TIPA