

**FEATURES**

- 150W in 2" X 4" Footprint
- 90~264 VAC Universal Input
- Efficiency Higher Than 85%
- Power Factor > 0.9
- Open Frame and U-Channel Available

**ELECTRICAL SPECIFICATIONS**

Input Voltage & Frequency ... 90~264 VAC
 Input Frequency 47~63 Hz
 Input Current 2.5A (rms) max. @ 115 VAC,
 1.25A (rms) max. @ 230 VAC
 Inrush Current 40A max. @ 115 VAC, 80A max.
 @ 230 VAC; cold start @ 25°C
 Earth Leakage Current <0.25mA
 Power Factor >0.9 @ 115/230VAC, full load
 Output Power Ratings See table
 Output Voltage Regulation .. See table
 Ripple and Noise See table

STANDARDS & COMPLIANCES

EMC Standards EN 55022 Class B, FCC Part 15
 Class B, CISPR22 Class B
 Safety Standards UL 60950-1, EN/IEC 60950-1,
 CSA C22.2 No. 60950-1
 Agency Approvals CSA, CUS, TUV, CE, CB, FCC
 Other Compliance RoHS

MODELS LIST

Product No. ⁽¹⁾	Output Voltage	Min. Load	Max. Load		Output Regulation	Ripple & Noise (Vp-p) ⁽²⁾	Max. Output Power ⁽³⁾
			@ Convection	@ 12 CFM			
TWC150-12	+12V	0A	8.33A	12.5A	±3%	150mV	100W / 150W
TWC150-15	+15V	0A	6.67A	10A	±3%	150mV	100W / 150W
TWC150-19	+19V	0A	5.26A	7.89A	±3%	190mV	100W / 150W
TWC150-24	+24V	0A	4.16A	6.25A	±3%	240mV	100W / 150W
TWC150-28	+28V	0A	2.77A	4.16A	±2%	300mV	100W / 150W
TWC150-48	+48V	0A	2.08A	3.12A	±2%	300mV	100W / 150W

Notes:

1. Standard form factor is open frame. Add suffix "B", for U-bracket, ie TWC150-24B.
2. R&N are measured at 20 MHz bandwidth with a 10µF electrolytic capacitor and with a 0.1µF ceramic capacitor in parallel at output connector.
3. 100W maximum output power without moving air, 150W maximum with 12 CFM forced air.

GENERAL SPECIFICATIONS

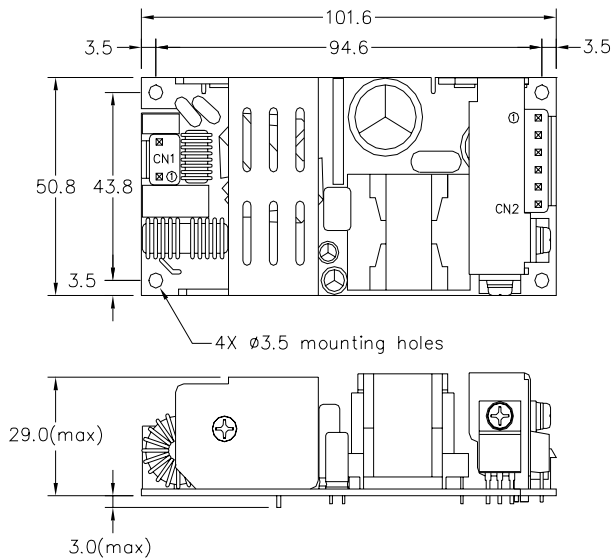
Efficiency>85% typical @ 115VAC, full load
 Switching Frequency65KHz
 Hold-up Time>16 ms at 115 VAC, full load convection
 Operating Temperature0°C to +60°C for 100W @ convection cooling;
 0°C to +70°C for 150W @ 12 CFM forced air cooling
 DeratingDerate from 100W at +40°C linearly to 50W at +60°C @ convection cooling;
 Derate from 150W at +50°C linearly to 75W at +70°C @ 12 CFM forced air cooling
 Temperature Coefficient±0.05% per °C maximum
 Operating Humidity5% to 95% non-condensing
 Short-Circuit ProtectionAuto-recovery
 Overload ProtectionSet at 105% to 160% of the maximum rating, Auto-recovery
 Overvoltage ProtectionAuto-recovery
 Withstand VoltageInput to Output: 4,242VDC
 Input to Ground: 2,121VDC
 MTBF120K hours at full load and 25°C ambient calculated per MIL-HDBK-217F

TWC150 Series

150W ITE Grade AC/DC Switching Power Supplies

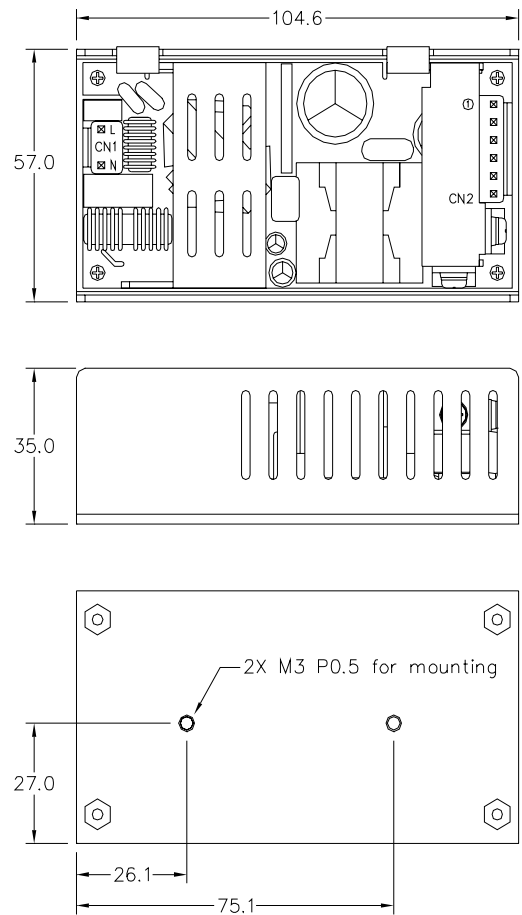
MECHANICAL SPECIFICATIONS (Unit: mm)

Open Frame



Weight: 0.206 kg (0.46 lb) approx.

U-Channel



Weight: 0.275 kg (0.6 lb) approx.

CONNECTORS & PIN CHART

CN1		CN2	
Pin #	Function	Pin #	Function
1	AC Neutral	1	GND
2	AC Line	2	GND
		3	GND
		4	+Vo
		5	+Vo
		6	+Vo

Notes:

1. CN1 (Input Connector): JST B3P VH B, 7.92mm pitch or equivalent, mating with JST VHR-3N or equivalent.
2. CN2 (Output Connector): JST B6P VH B, 3.96mm pitch or equivalent, mating with JST VHR-6N or equivalent.