

**FEATURES**

- Single 5V to 48V DC Outputs
- Interchangeable and Fixed AC Plugs
- Approved to Latest IEC/EN/UL 60601-1 Ed. 3.2 Standards
- Approved to Latest IEC/EN 60601-1-2 Ed. 4.1 Standards
- Class II with 2 X MOPP
- DOE Level VI Compliant

INPUT SPECIFICATIONS

| | |
|---------------------------|---|
| Input Voltage Range | 100~240 VAC |
| Input Frequency | 50~60 Hz |
| Input Current | 0.58A rms @ 115 VAC, 0.32A rms @ 230 VAC |
| Inrush Current | 50A @ 100 VAC, 60A @ 230 VAC; 120A @ 230 VAC, at 25°C cold start |
| Touch Current | 100µA max. |
| No Load Input Power | 0.1W max. |

OUTPUT SPECIFICATIONS

| | |
|--------------------------------|----------------------------------|
| Output Power Ratings | See table |
| Line Regulation | ±1% max. |
| Load Regulation | ±5% max. |
| Ripple and Noise* | 2% peak to peak max. @ full load |
| Over Voltage Protection | Shut down |
| Short Circuit Protection | Shut down; Auto-recovery |
| Over Current Protection | Shutdown, Auto-recovery |
| Temperature Coefficient | ±0.04%/°C max. |
| Transient Response | 0.5 ms @ 50% load change |

* Measured with 20MHz bandwidth at rated line voltage and output load ranges, with a 10µF tantalum capacitor in parallel with a 0.1µF ceramic capacitor in parallel across the output.

STANDARDS & COMPLIANCES

| | |
|-------------------------------|--|
| IEC/EN 60601-1-2:Ed. 4.1 | EMC & Immunity Performance |
| IEC/EN 55011, EN 55032 | Class B, conducted & radiated |
| EN 61000-3-2 | Harmonic distortion, Class A |
| EN 61000-3-3 | Line fluctuations & flicker |
| EN 61000-4-2 | ESD, ±15 KV air and ±8 KV contact |
| EN 61000-4-3 | Radiated immunity, 3 V/m |
| EN 61000-4-4 | Fast transient/burst, ±2 KV |
| EN 61000-4-5 | Surge, ±1 KV diff., ±2 KV com. |
| EN 61000-4-6 | Conducted immunity, 3 Vrms |
| EN 61000-4-8 | Magnetic field immunity, 1 A/m |
| EN 61000-4-11 | Voltage dip immunity, 30% reduction for 30 cycles, 100% reduction for 300 cycles |
| Safety Standards | UL/IEC/EN 60601-1 (Edition 3.2), ANSI/AAMI ES 60601-1 (2021), CSA C22.2 No. 60601-1 (2022); IEC 62368-1 (3rd Edition) |
| Pending Agency Approvals ... | UL, cUL, CE, CB, TUV/GS, PSE, BSMI |
| Other Compliances | RoHS, DOE/GEMS Level VI, ErP Stage 2, COC Tier 2 |

**MODELS LIST**

| Product No. | Output Voltage | Maximum Current | Maximum Power |
|-------------------|----------------|-----------------|---------------|
| TMW24-5-X | 5V | 4A | 20W |
| TMW24-9-X | 9V | 2.5A | 22.5W |
| TMW24-12-X | 12V | 2A | 24W |
| TMW24-15-X | 15V | 1.6A | 24W |
| TMW24-24-X | 24V | 1A | 24W |
| TMW24-48-X | 48V | 0.5A | 24W |

Note: X = AC plug code. See the tables and drawings below for details.

| Code X | Designation/Description |
|--------|--|
| U | Fixed US Plug |
| E | Fixed EU Plug |
| B | Fixed UK Plug |
| I | Interchangeable "Main Body" without the AC Plug |

| Interchangeable Plug | Part No. |
|----------------------|-------------|
| US Plug | TIPU |
| EU Plug | TIPE |
| UK Plug | TIPB |
| AU Plug | TIPA |

Notes:

1. Specify the AC plug code when ordering, e.g. TMW24-5-U for 5V output with US AC plug, TMW24-12-I for 12V output "main body" for interchangeable plug, etc.
2. For interchangeable type, at least one interchangeable plug must be ordered together with the "main body" (X=I), e.g. TMW24-5-I for 5V output main body and TIPU for US type interchangeable plug, etc.

GENERAL SPECIFICATIONS

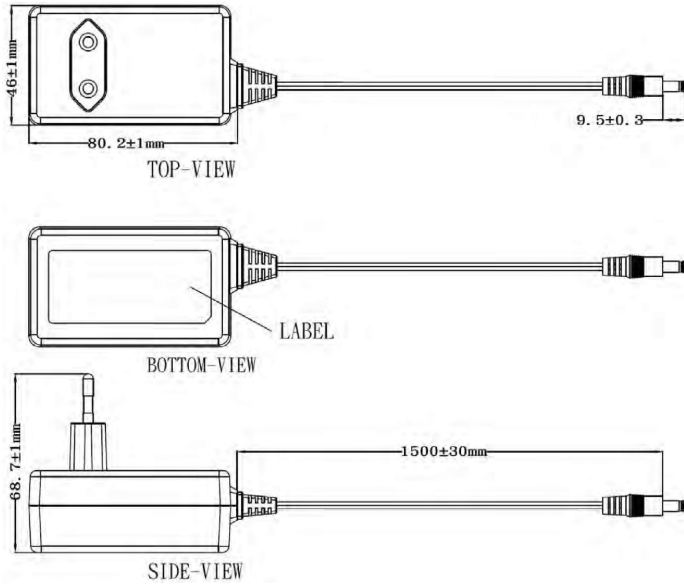
| | |
|-----------------------------|--|
| Efficiency | 86% min. @ full load |
| Hold-up Time | 10 ms @ full load |
| Operating Temperature | -20°C to +40°C |
| Storage Temperature | -20°C to +80°C |
| Operating Humidity | 20% to 80%, non-condensing |
| Storage Humidity | 10% to 90% ,non-condensing |
| Withstand Voltage | 4,000 VAC, input-output |
| MTBF | 300 KHrs minimum at full load, 25°C ambient, calculated per Telcordia SR-332 |

TMW24 Series

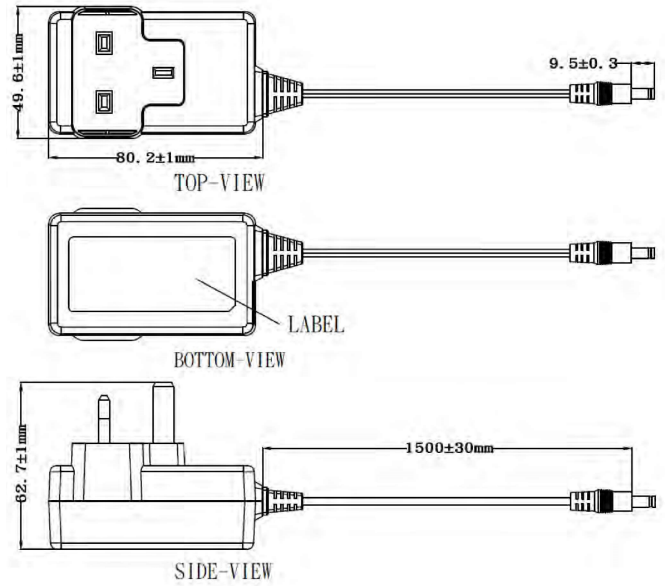
24 Watts Medical Grade Wall Mount Power Adapters

MECHANICAL SPECIFICATIONS

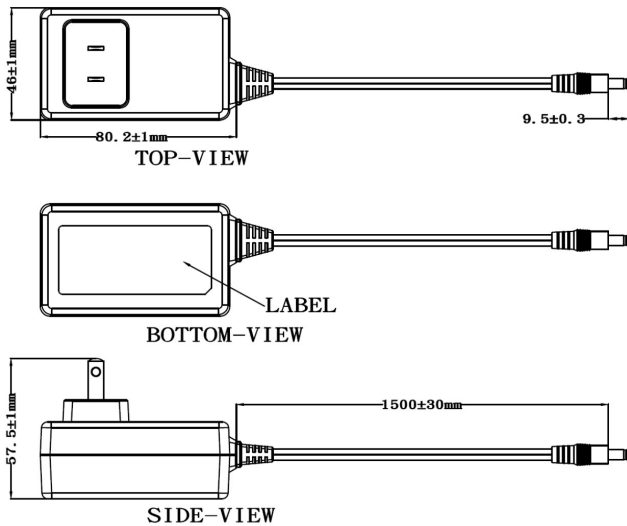
Fixed EU Plug



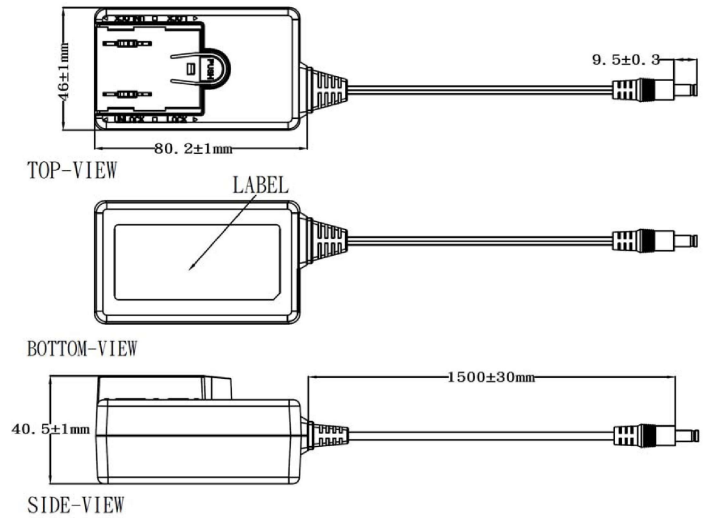
Fixed UK Plug



Fixed US Plug



Interchangeable



Notes:

1. Unit: mm
2. Weight: 140g (0.31 lbs) approx.
3. Standard output connector: 2.1 x 5.5 x 9.5mm barrel plug on the cable.
4. Contact TRUMPower for output connector options.

| INTERCHANGEABLE AC PLUG | | | |
|-------------------------|-------|-------|-------|
| TIPU | TIP E | TIP B | TIP A |
| | | | |
| | | | |